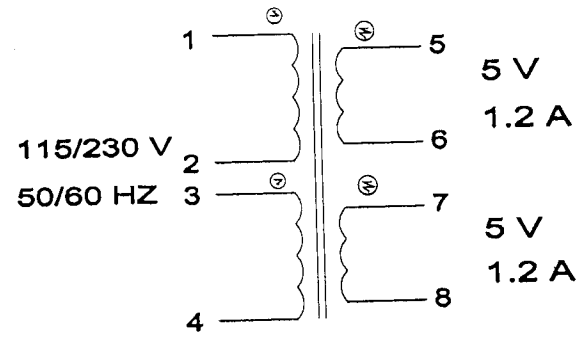
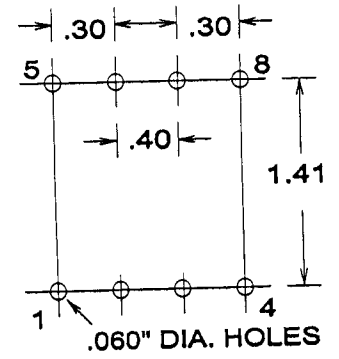
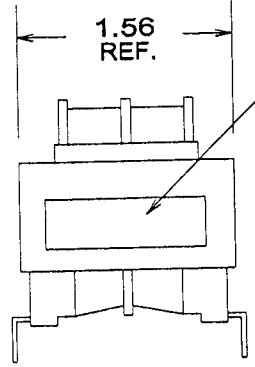
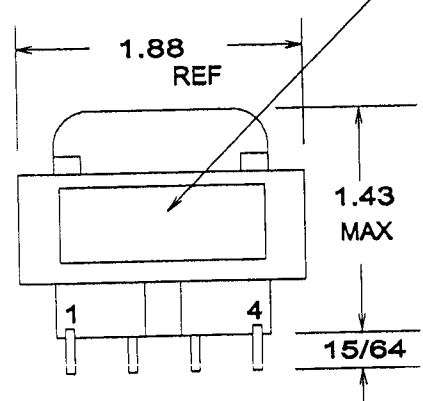
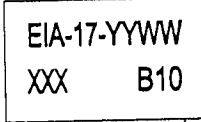
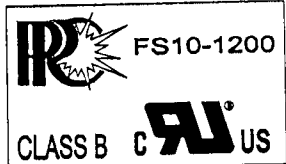


TOLERANCE UNLESS SPECIFIED = .XXX = +/- .005 .XX = +/- .015 FRACTIONS = +/- .032

FS101200.DC2

YYWW = YEAR, WEEK
XXX = SITECODE



PRODUCTION TESTS

TURNS RATIO = 100%	
DC RESISTANCE IN OHMS	1-2 = 135 NOM
	3-4 = 155 NOM
	5-6 = .36 NOM
	7-8 = .42 NOM

MAX EXCITATION CURRENT = .020 A
APPLY = 230V 60 HZ, 1-4, TIE 2+3

OPEN CIRCUIT VOLTAGE TEST:
230V 60 HZ, 1-4, TIE 2+3
EACH PRI = 114.5 TO 115.5 V
EACH SEC = 5.8 TO 6.2 V

HIPOT: 2500V PRI'S TO SEC'S
1500V PRI'S, SEC'S TO CORE
500V P-P, S-S.

IMPREGNATION NOTES = 2 HOUR PREHEAT
PINS MUST BE FREE OF IMPREG.

FINAL ASSEMBLY NOTES

METHOD

1 X 1

MARKING

SEE LABEL DETAIL ABOVE



PART NO.: FS10-1200